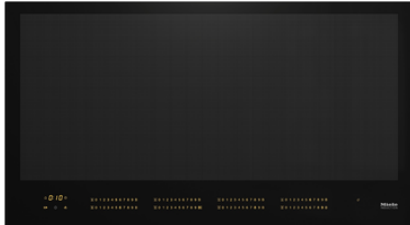


KM 7697 FL

Induction hob with onset controls

with a width of 936mm and full-surface induction for maximum flexibility



- Intuitive quick selection via number sequences – Smart Select
- Intelligent pan recognition – for up to 6 pans
- Frameless for flush-fit or surface-mounted installation
- Broad performance spectrum - keeping warm function and TwinBooster
- Communication with the hood - automatic function Con@ctivity

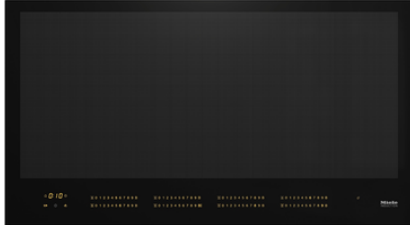
EAN: 4002516148845 / article number: 26769770D / material number: 11128750

Heating type	
Heating type	Induction
Construction type	
Independent of cooker	•
Design	
Elegant glass ceramic surface	•
Ceramic surface colour	Black
Flush-fit installation	•
Surface-mounted installation	•
Can be combined with SmartLine	•
Cooking zone details	
Number of cooking areas	1
Maximum number of pans	6
Cooking zone	
Size in mm	870x380
Max. rating in W	2600
Max. Booster power rating in W	3300
Max. TwinBooster power rating in W	3650
User convenience	
Operation via sensor controls	Smart Select
Display colour	Yellow
Pan and pan size recognition	•
Intelligent pan recognition	•
Positioning aid	•
Stop & Go function	•
Recall function	•
Minute minder	•
Safety switch-off	•
Auto heat-up	•
Keeping warm	•
Individual setting options (e.g. buzzers)	•
Appliance networking	
Miele@home	•
WiFiConn@ct	•
Automatic function Con@ctivity 3.0	•
Cleaning convenience	
Easy to clean ceramic glass	•
Wipe protection	•
Safety	
Safety switch-off	•
Lock function	•
System lock	•
Integrated cooling fan	•
Overheating protection	•
Residual heat indicator	•

KM 7697 FL

Induction hob with onset controls

with a width of 936mm and full-surface induction for maximum flexibility

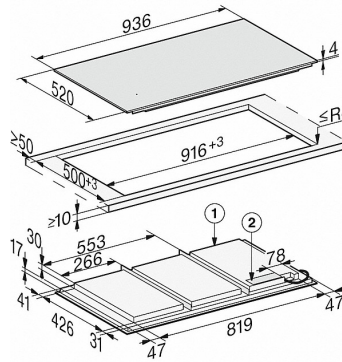
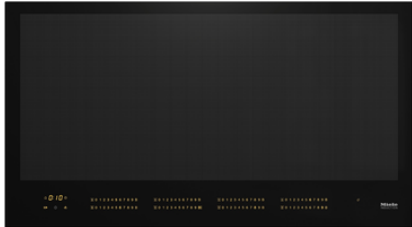


Technical data	
Dimensions in mm (width)	936
Dimensions in mm (height)	51
Dimensions in mm (depth)	520
Casing height incl. connection box in mm	51
Cutout dimensions in mm (width) with surface-mounted installation	916
Cutout dimensions in mm (depth) with surface-mounted installation	500
Internal cutout dimensions in mm (width) with flush installation	916
Internal cutout dimensions in mm (depth) with flush installation	500
External cutout dimensions in mm (width) with flush installation	940
External cutout dimensions in mm (depth) with flush installation	524
Weight in kg	21
Total rated load in kW	11,000
Voltage in V	230
Frequency in Hz	50-60
Connection cable length in m	1,4
Standard accessories	
Mains cable	•

KM 7697 FL

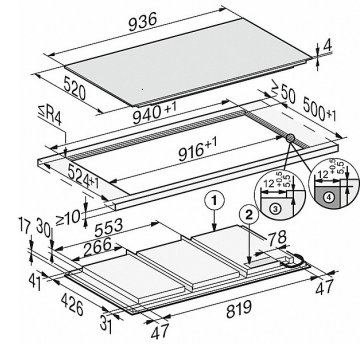
Induction hob with onset controls

with a width of 936mm and full-surface induction for maximum flexibility



KM 7697 FL, KM 7897 FL (installation drawings) - onset

- 1) Front
- 2) Mains connection box with mains connection cable, L = 1440 mm, are enclosed loosely,



KM 7697 FL, KM 7897 FL (installation drawings) - flush-fit

- 1) Front
- 2) Mains connection box with mains connection cable, L = 1440 mm, are enclosed loosely
- 3) Stepped cut-out natural stone worktop
- 4) Wood support 12 mm (not supplied)